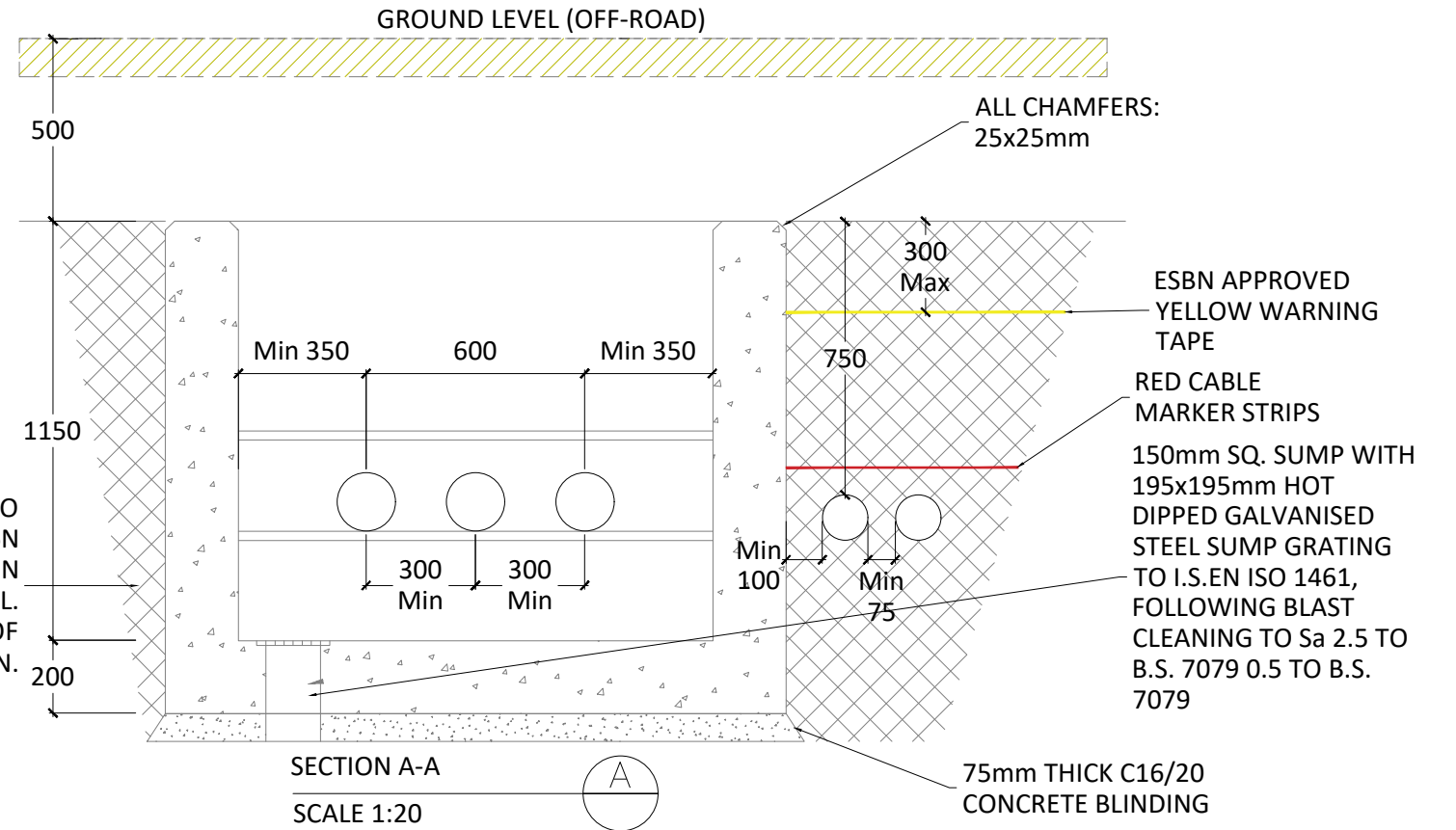
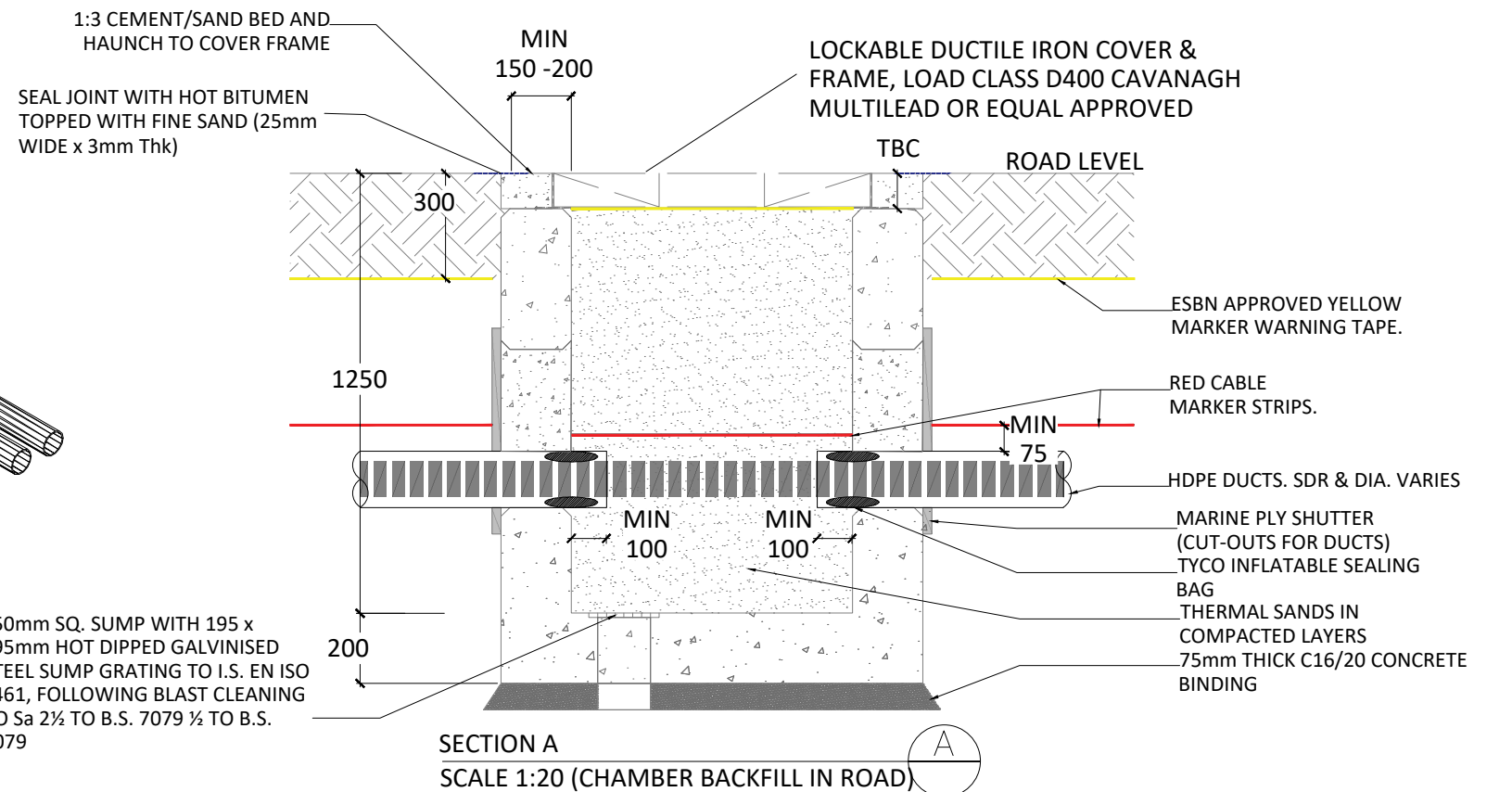


PLAN - TRANSITION CHAMBER
SCALE 1:20 (DUCT SETTING OUT)



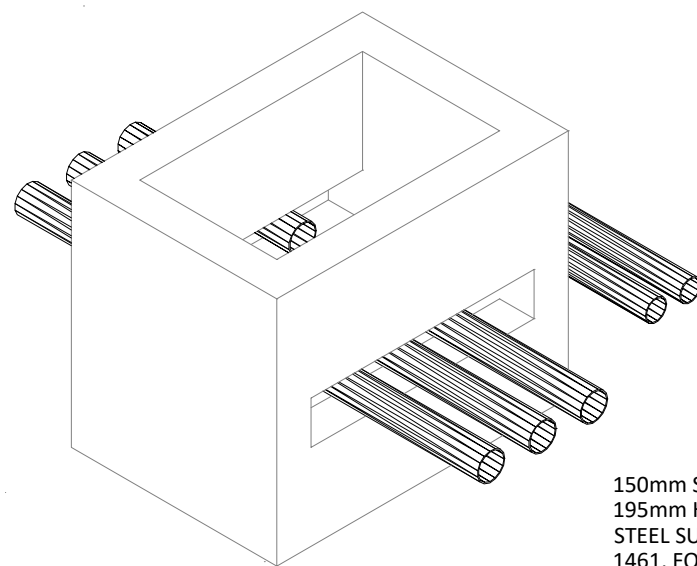
SECTION A-A
SCALE 1:20



SECTION A
SCALE 1:20 (CHAMBER BACKFILL IN ROAD)

NOTE:

1. This design is subject to ESB approval and should not be used for construction.
2. This drawing is to be read in conjunction with relevant drawings, specifications and reports.
3. Dimensions are in millimetres, unless noted otherwise.
4. Drawings are not to be scaled use figured dimensions only.
5. Transition chambers may be utilised at HDD launch/reception pit locations to transition back to standard ducting when transition couplers are not available.
6. Telecommunication ducts not to be routed through Transition chamber.
7. If Transition chamber is used to interface with a HDD section, Then the comms duct SDR 17.6 should be chamfered when coupled with SDR 11 ducts.



150mm SQ. SUMP WITH 195 x 195mm HOT DIPPED GALVANISED STEEL SUMP GRATING TO I.S. EN ISO 1461, FOLLOWING BLAST CLEANING TO Sa 2½ TO B.S. 7079 ½ TO B.S. 7079

CLIENT

PROJECT

SHEET TITLE

ISSUE/REVISION



Head Office
Beenreigh,
Abbeydorney,
Tralee, Co. Kerry
Ireland
Tel: 00353 66 7135710



Coumragappul WF
110kV Grid Connection

Typical Transition
Chamber Details

PROJECT NUMBER
05-828

SHEET NUMBER
05828-DR-160

DRAWING STATUS
For Planning

ISSUE/REVISION	DATE	DESCRIPTION
P1	13.01.2023	Issued For Planning
I/R	DATE	DESCRIPTION